

## MDR774M

2.4GHz BPF for Wireless LAN

[Inquiry](#)

### Characteristics

#### MDR774M

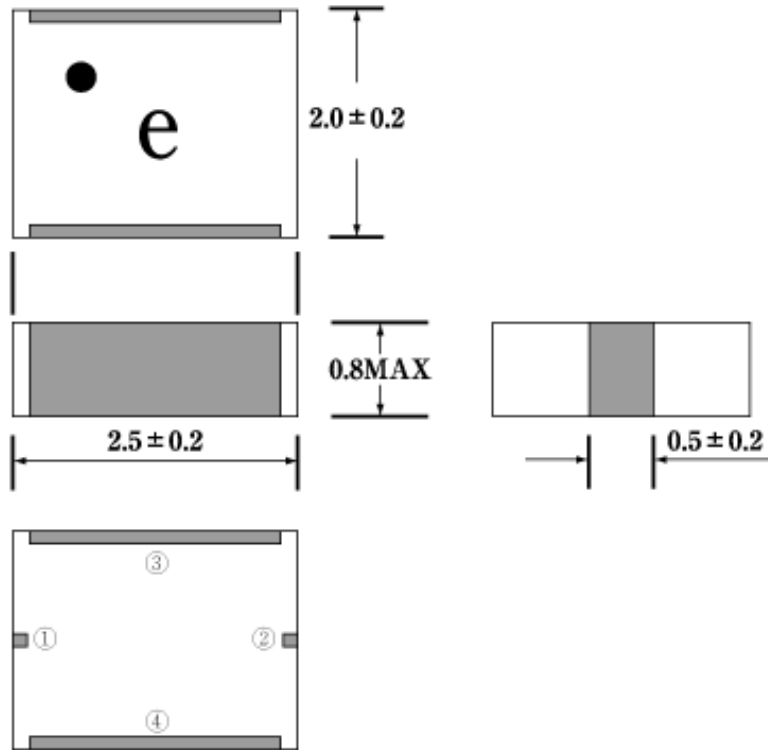
|                |   |
|----------------|---|
| Zin/Zout       | 50 ohm Nominal                                      |
| Fc             | 2450MHz Nominal                                     |
| Pass Band      | 2400 - 2500MHz                                      |
| Insertion Loss | 1.5 dB max (2400 - 2500MHz at 25 Deg.C)             |
|                | 1.7 dB max (2400 - 2500MHz at - 40 up to +85 Deg.C) |
| Ripple         | 0.6 dB max (2400 - 2500MHz at 25 Deg.C)             |
| V.S.W.R        | 2.0 max   |
| Attenuation    | 30 dB min (880 - 915MHz)                            |
|                | 30 dB min (1710 - 1785MHz)                          |
|                | 25 dB min (1850 - 1910MHz)                          |
|                | 30 dB min (4800 - 5000MHz)                          |

### Number of ordered pieces

2000pcs/Reel

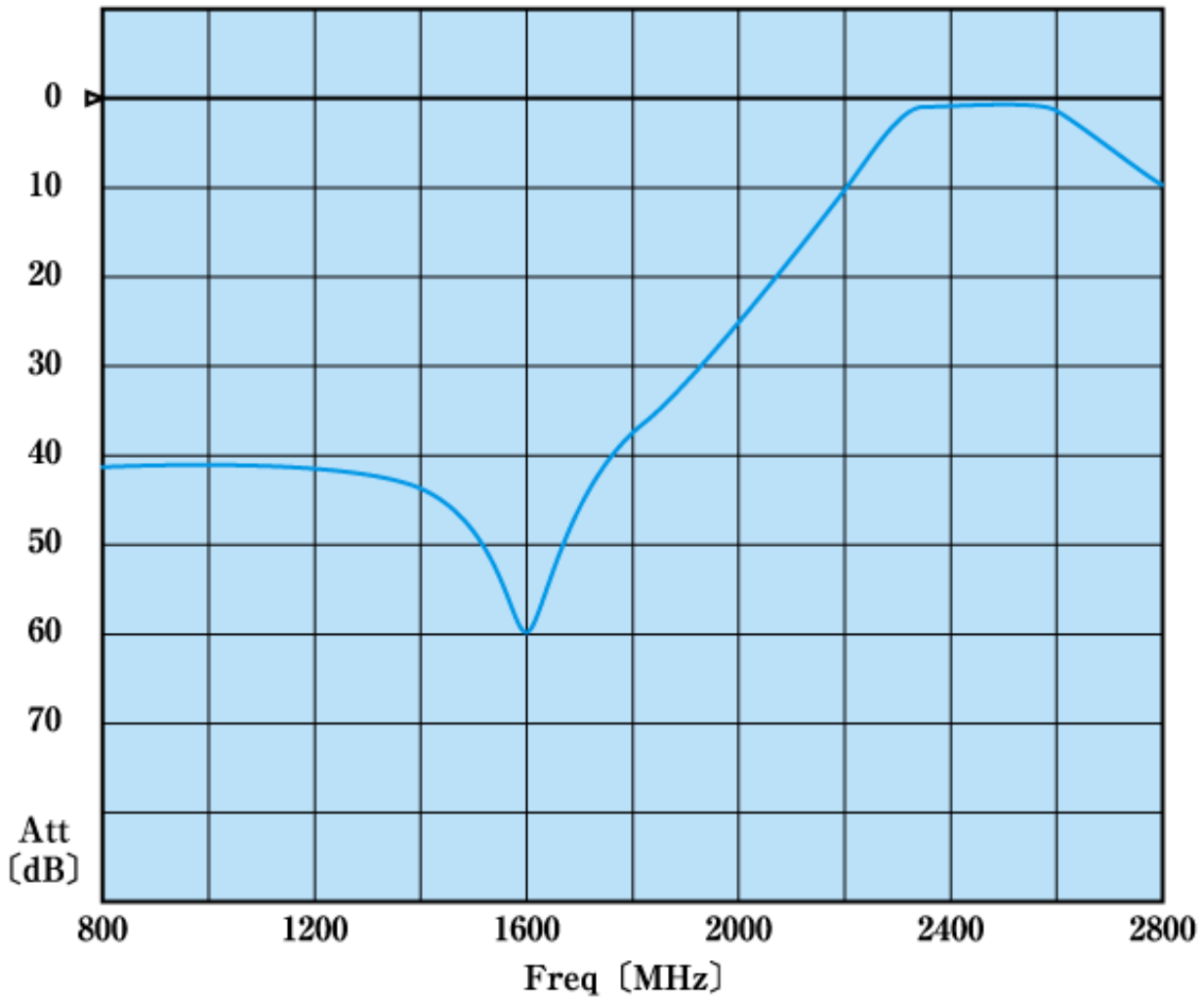
### Dimensions

**Dimension (Unit : mm)**

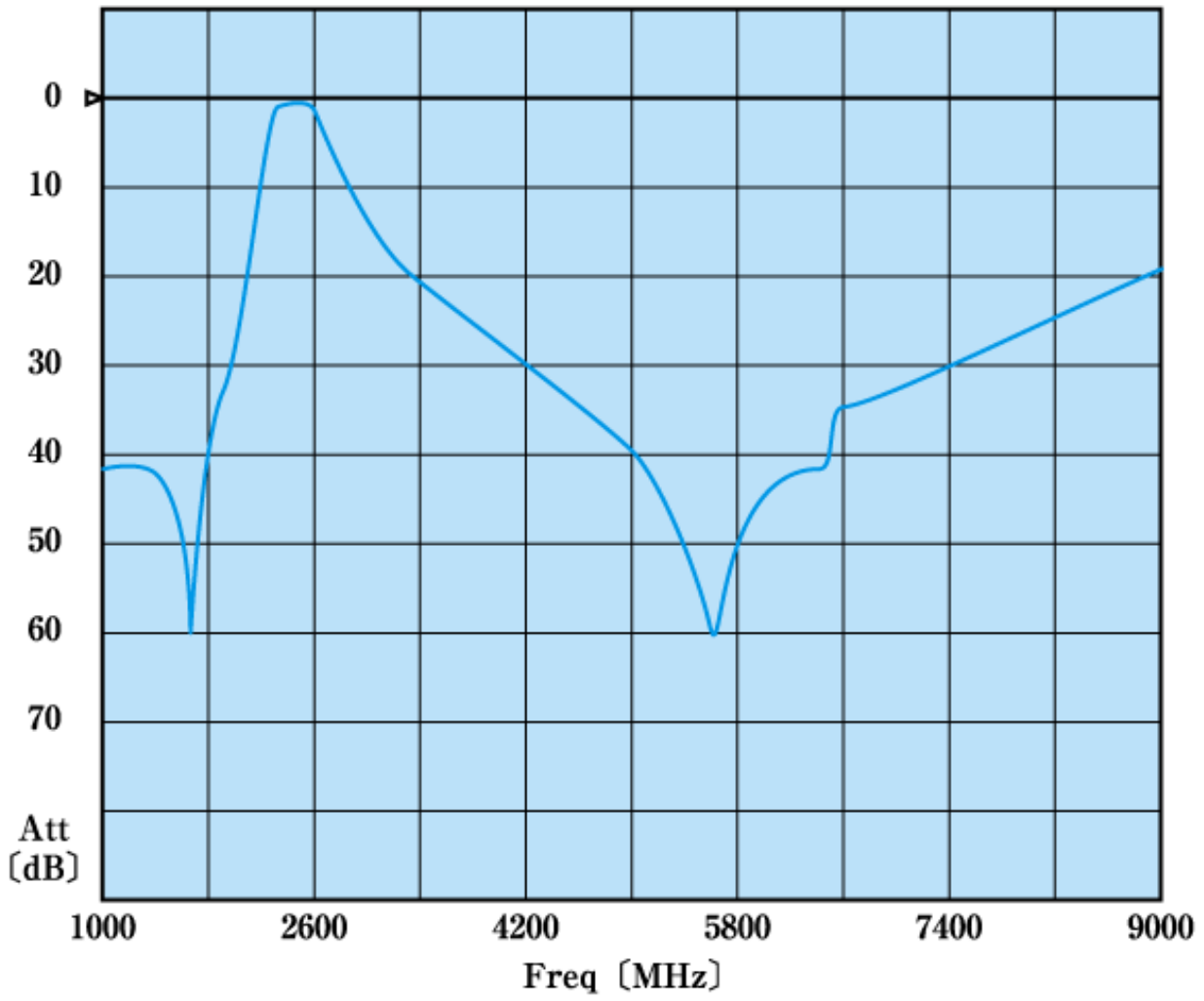


| Terminal |        |
|----------|--------|
| ①        | Input  |
| ②        | Output |
| ③        | GND    |
| ④        | GND    |

Frequency Data1

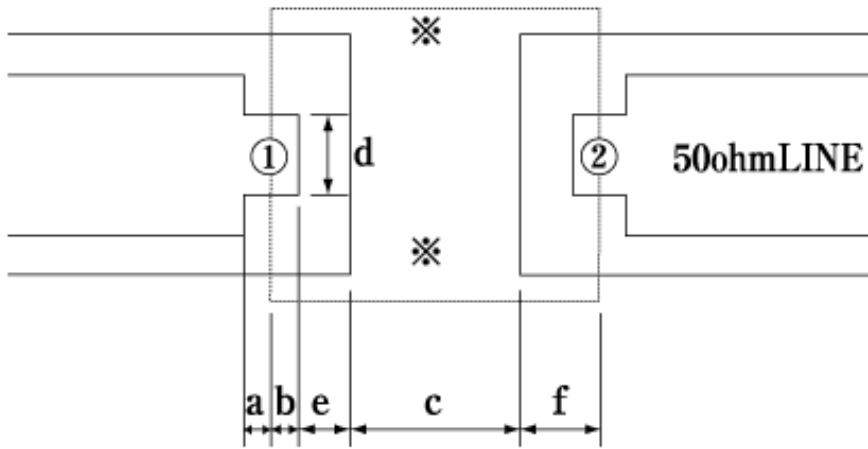


Frequency Data2



Land Pattern

### Land pattern



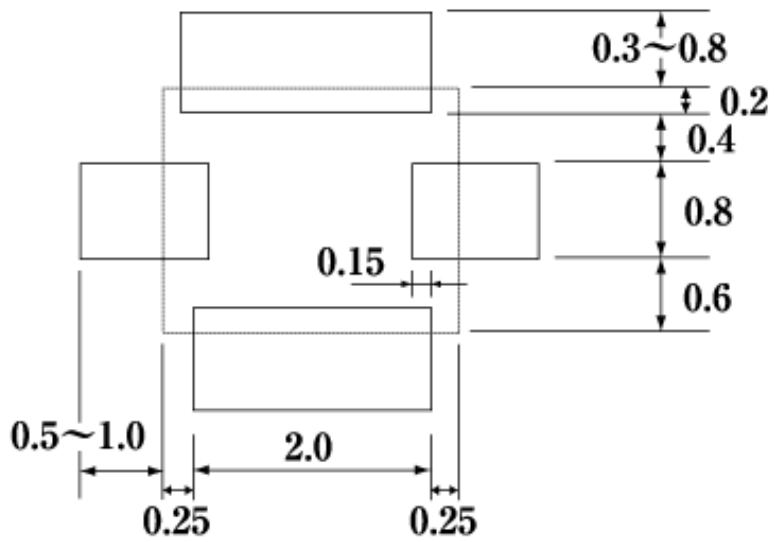
| Terminal |        |
|----------|--------|
| ①        | Input  |
| ②        | Output |
| ※        | GND    |

a=0.2  
 b=0.2  
 c=1.3  
 d=0.6  
 e=0.4  
 f=0.6  
 (Unit : mm)

Example : t=1.0mm  
 Glass-epoxy board

### Resist Pattern

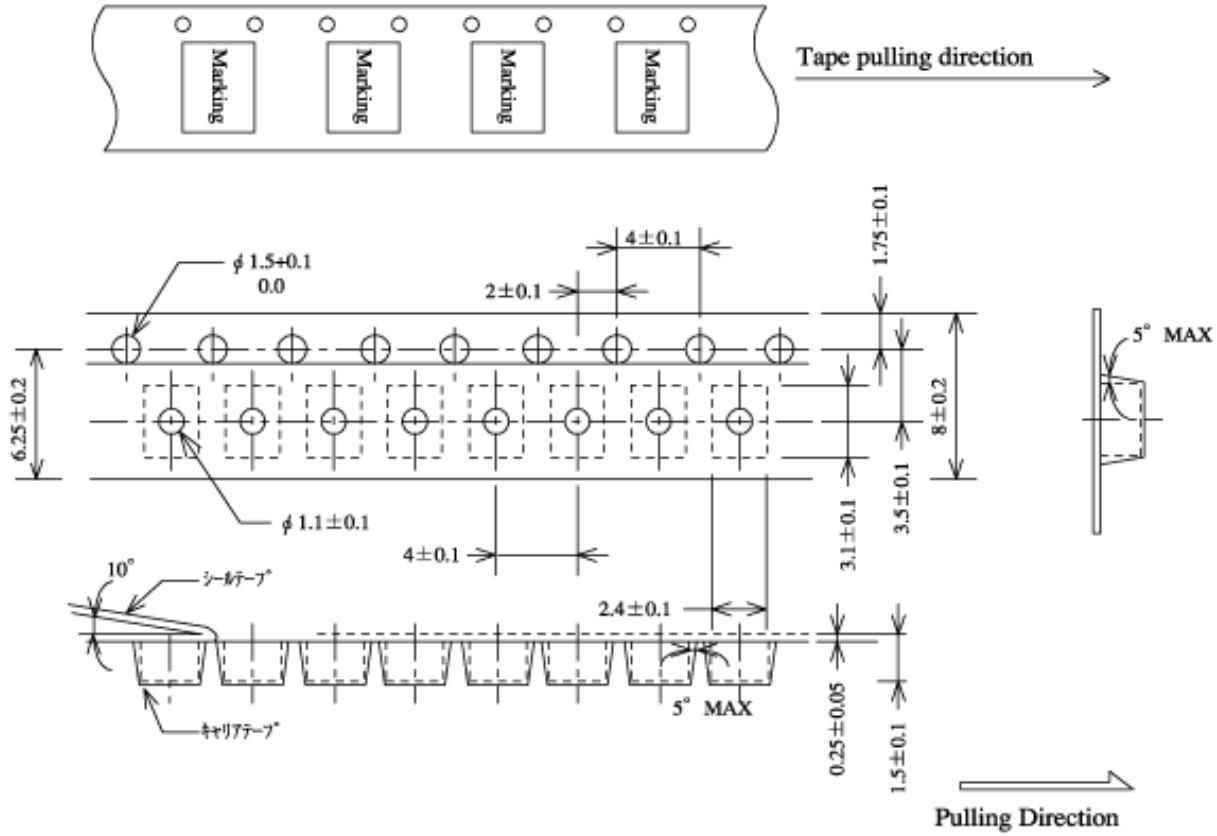
### Resist pattern



Example :  $t=1.0\text{mm}$   
Glass-epoxy board

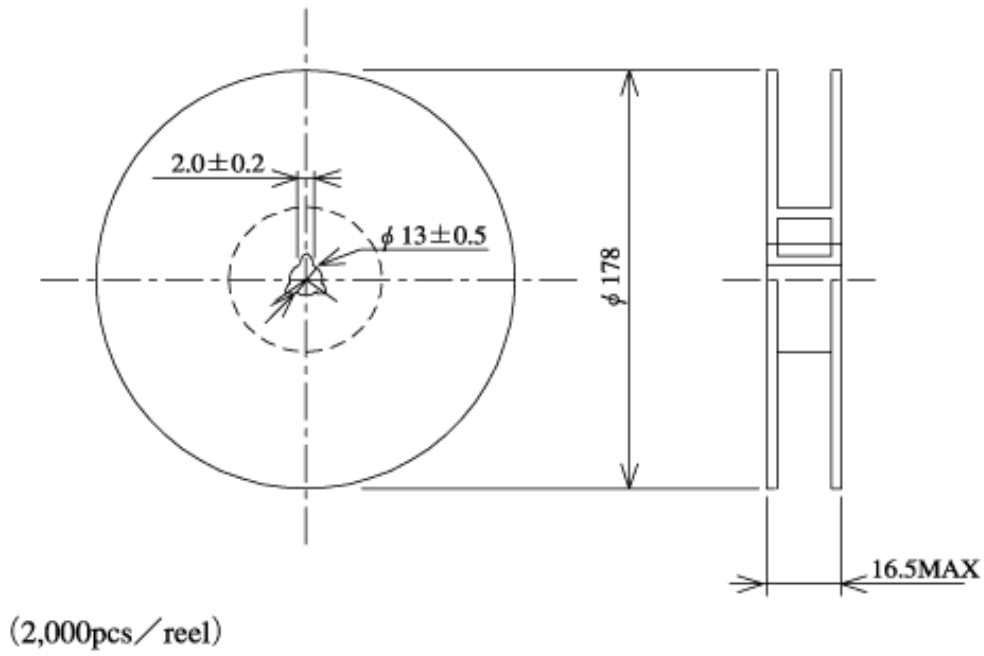
### Taping Dimensions

### Taping Dimensions (Unit:mm)



Reel Dimensions

## Reel Dimensions (Unit:mm)



► [Products Index](#)